



STRONG PARTNERS. TOUGH TRUCKS.

**Powered Stacker with Folding Platform
S1.5S, S1.5SiI, S1.5SsI**



S1.5S, S1.5SiL, S1.5Ssl

CHARACTERISTICS	1.1	Manufacturer	
	1.2	Model designation	
	1.3	Power: battery, diesel, LPG, electric mains	
	1.4	Operation: manual, pedestrian, stand, seat	
	1.5	Load capacity	Q (t)
	1.6	Load centre	c (mm)
	1.8	Load distance +	x (mm)
	1.9	Wheelbase	y (mm)

WEIGHTS	2.1	Unladen weight ✦	kg
	2.2	Axle loading with load, front/rear ✦	kg
	2.3	Axle loading without load, front/rear ✦	kg

WHEELS & TYRES	3.1	Tyres: rubber, polyurethane, vulkollan, front/rear	
	3.2	Tyre size, front	
	3.3	Tyre size, rear	
	3.4	Additional Wheels (dimensions)	
	3.5	Number of wheels, front/rear (X = driven)	
	3.6	Track width, front	b ₁₀ (mm)
	3.7	Track width, rear	b ₁₁ (mm)

DIMENSIONS	4.2	Height of mast, lowered	h ₁ (mm)
	4.3	Free lift	h ₂ (mm)
	4.4	Lift height	h ₃ (mm)
	4.5	Height of mast, extended	h ₄ (mm)
	4.6	Initial lift	h ₅ (mm)
	4.9	Height of tiller arm in working position min./max.	h ₁₄ (mm)
	4.10	Height of load arm	h ₈ (mm)
	4.15	Lowered height	h ₁₃ (mm)
	4.19	Overall length (pedestrian) †	l ₁ (mm)
		Overall length (stand-on) †	l ₁ (mm)
	4.20	Length to face of forks (pedestrian) †	l ₂ (mm)
		Length to face of forks (stand-on) †	l ₂ (mm)
	4.21	Overall width	b ₁ /b ₂ (mm)
	4.22	Fork dimensions	s/e/l (mm)
	4.23	Fork carriage DIN 15173. Class, A/B	
	4.24	Fork carriage width	b ₃ (mm)
	4.25	Outside fork width min./max	b ₅ (mm)
	4.26	Width between load arms	b ₄ (mm)
	4.31	Ground clearance under mast, with load	m ₁ (mm)
	4.32	Ground clearance, centre of wheelbase	m ₂ (mm)
	4.33	Aisle width with pallet 1 000 x 1 200 crossways VDI 2198 (Wa + R + a) (stand-on) ● Ast (mm)	
		Aisle width with pallet 1 000 x 1 200 crossways VDI 2198 (Wa + R + a) (Pedestrian) ● Ast (mm)	
		Aisle width with pallet 1 000 x 1 200 crossways VDI 3597 (stand-on) ● Ast (mm)	
Aisle width with pallet 1 000 x 1 200 crossways VDI 3597 (Pedestrian) ● Ast (mm)			
Aisle width with pallet 800 x 1 200 lengthwise VDI 2198 (Wa + R + a) (Stand-on) ● Ast (mm)			
4.34	Aisle width with pallet 800 x 1 200 lengthwise VDI 2198 (Wa + R + a) (Pedestrian) ● Ast (mm)		
	Aisle width with pallet 800 x 1 200 lengthwise VDI 3597 (Stand-on) ● Ast (mm)		
	Aisle width with pallet 800 x 1 200 lengthwise VDI 3597 (Pedestrian) ● Ast (mm)		
	Turning radius (stand-on) Wa (mm)		
4.35	Turning radius (Pedestrian - tiller in vertical position, snail function)	Wa (mm)	

PERFORMANCE	5.1	Travel speed with/without load (pedestrian) ■	km/h
		Travel speed with/without load (stand-on) ■	km/h
	5.2	Lifting speed with/without load ■	m/sec
	5.3	Lowering speed with/without load ■	m/sec
	5.7	Gradeability with/without load ◆	%
	5.8	Max. gradeability with/without load ◆	%
5.10	Service brake		

POWER UNIT	6.1	Drive motor, S2 60 minute rating	kW
	6.2	Lift motor, S3 14 % rating	kW
	6.3	Battery according to DIN 43531/35/36 A,B,C, no	
	6.4	Battery voltage/capacity at 5 hour rate	V/Ah
	6.5	Battery weight (+/- 5%)	kg
	6.6	Consumptions according to VDI cycle	Kwh/h

OTHER	8.1	Drive control	
	8.4	Average noise level at operator's ear	dB (A)
		Vibrations	m/sec ²

HYSTER		HYSTER		HYSTER		CHARACTERISTICS
S1.5S ■		S1.5S - IL ✦		S1.5S SL ■		
Battery		Battery		Battery		
Pedestrian / (Stand-on)		Pedestrian / (Stand-on)		Pedestrian / Stand-on		
1 500		1 500		1 500		
600		600		600		
713		811		642		
1 423		1 520		1 404		

1 398 ◇		1 398 ◇		1 398 ◇		WEIGHTS
956 ◇	1 692	956 ◇	1 705	956	1 692 ◇	
926 ◇	472	926 ◇	472	926	472 ◇	

Vulk/Vulk		Vulk/Vulk		Vulk/Vulk		WHEELS & TYRES
Ø 254 x 90		Ø 254 x 90		Ø 254 x 90		
Ø 85 x 74		Ø 85 x 74		Ø 125 x 50		
Ø 125 x 50		Ø 125 x 50		-		
1X	1/4	1X	1/4	1X	4	
564		564		-		
395		395		932	1 132 1 332	

See chart		See chart		See chart ●		DIMENSIONS
See chart		See chart		See chart ●		
See chart		See chart		See chart ●		
See chart		See chart		See chart ●		
-		130		-		
1 220	1 460	1 220	1 460	1 220	1 460	
-		-		125		
90		90		-		
2 129		2 129		2 200		
2 575 ○		2 575 ○		2 646 ○		
969		969		1 000		
1 415 ○		1 415 ○		1 446 ○		
860		860		860/1 014	1 214 1 414	
65	180 1 160	65	193 1 160	35	100 1 200	
-		-		2A		
675		675		800	1 000 1 200	
570		570		730	930 1 130	
-		-		850	1 050 1 250	
30		30		30		
20		30		30		
2 994 ¶		3 055 ¶		3 002 ¶		
2 555		2 617		2 552		
2 616 ¶		2 615 ¶		2 652 ¶		
2 177		2 177		2 202		
2 959 ¶		2 894 ¶		2 984 ¶		
2 520		2 546		2 534		
2 816 ¶		2 815 ¶		2 852 ¶		
2 377		2 377		2 402		
2 129 ¶		2 226 ¶		2 112 ¶		
1 690		1 788		1 662		

6		6		6		PERFORMANCE
8		8,5		8,5		
0,16		0,22		0,16 0,22		
0,3		0,28		0,3 0,28		
8		10		5		
8		10		5		
Electro magnetic		Electro magnetic		Electro magnetic		

4		4		4		POWER UNIT
3		3		3		
No		No		No		
24	345	24	345	24	345	
300		300		300		
/		/		/		

Mosfet - AC		Mosfet - AC		Mosfet - AC		OTHER
< 70		< 70		< 70		
0,45		0,45		0,45		

Specification Data is based on VDI 2198

Equipment and weight:

Weights (line) are based on the following specifications:
 Complete truck with 180 mm wide forks (S1.5S) or 193 mm wide forks (S1.5 IL) or 100 mm forks (Straddle leg SL), polyurethane drive/steer tyre, and 2-Stage 2 965 mm mast

Forks:

S1.5S: 65 x 180 x 1 160 mm long
 S1.5S IL: 65 x 193 x 1 160 mm long
 S1.5S SL: 35 x 100 x 1 200 mm long

Mast and capacity information

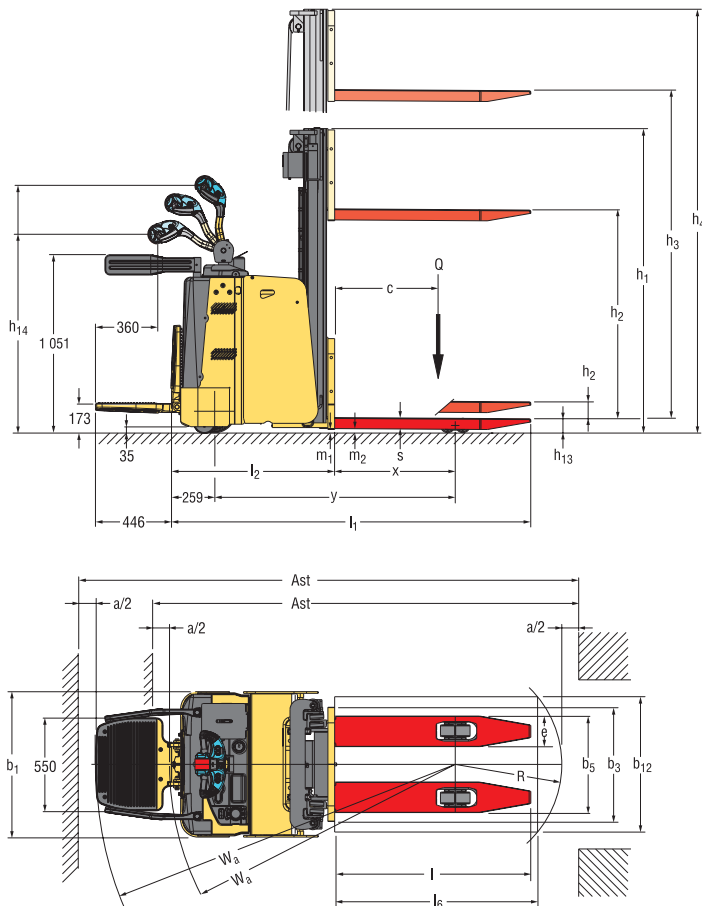
Values shown are for standard equipment. When using non-standard equipment, these values may change. Please contact your Hyster dealer for information.

S1.5S-S1.5S-IL (Type "J" Profile)

	Lift height mm (h_3)	Maximum fork height mm ($h_3 + h_{13}$)	Free Lift Stroke (h_2) ■	Height of Mast Lowered (h_1)	Height of Mast Extended (h_4) ▶
2-Stage ◊ limited free lift	2 768	2 858	100	1 877 ◊	3 330
	2 968	3 058	100	1 977 ◊	3 350
	3 168	3 258	100	2 077 ◊	3 730
	3 368	3 458	100	2 177 ◊	3 930
	3 768	3 858	100	2 377 ◊	4 330
	4 168	4 258	100	2 577 ◊	4 730
2-Stage ◊ full free lift	2 604	2 694	1 260	1 827	3 166
	2 804	2 894	1 360	1 927	3 366
	3 004	3 094	1 460	2 027	3 566
	3 204	3 294	1 560	2 127	3 766
	3 404	3 494	1 660	2 227	3 966
	3 604	3 694	1 760	2 327	4 166
	4 004	4 094	1 960	2 527	4 566
3-Stage ◊ full free lift	4 028	4 118	1 260	1 827	4 590
	4 328	4 418	1 360	1 927	4 890
	4 628	4 718	1 460	2 027	5 190

The rated capacities shown are for masts in a vertical position on trucks equipped with standard or sideshift carriage, and nominal length forks. Masts above the maximum fork heights shown in the mast table are classified as high lift, and depending on the tyre/tread configuration may require reduced capacity, restricted back tilt or wide tread.

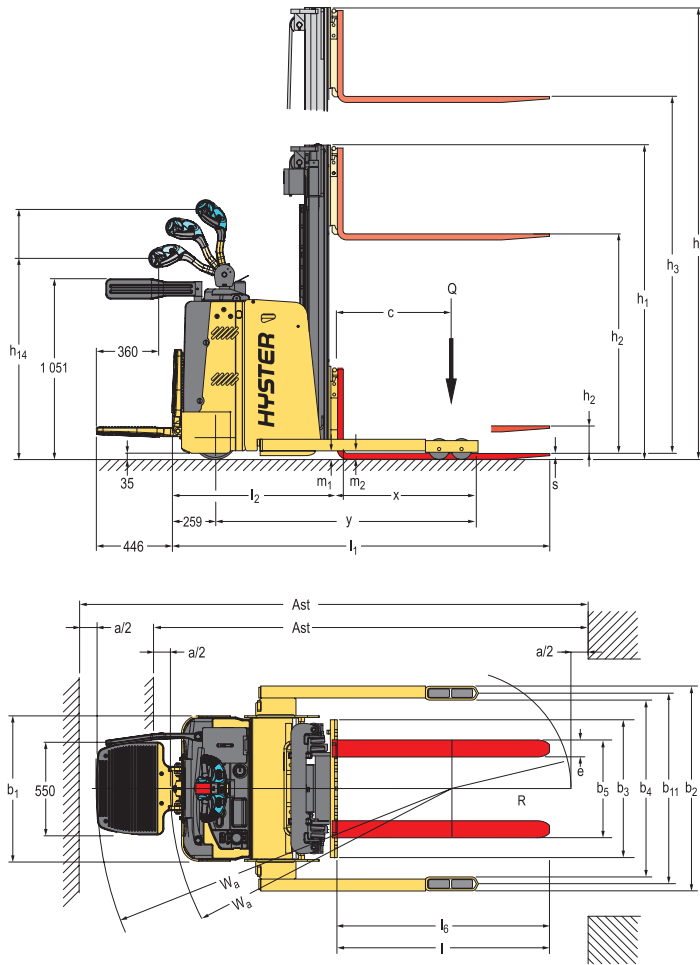
Truck dimensions



Forks spacing:

- Inside to inside: 210mm (S1.5S) 184mm (S1.5S IL)
- Outside to outside: 570 mm (1.5S) 570 mm (S1.5S IL)
- 800 mm, 1 000 mm, 1 200 mm adjustable (S1.5S SL)

Truck dimensions - Straddle Rollers Option



NOTE:

Specifications are affected by the condition of the vehicle and how it is equipped, as well as the nature and condition of the operating area. If these specifications are critical, the proposed application should be discussed with your dealer.

- Traction, lift, and lower speeds may vary with alternative lift height
- ◆ Values determined by wheel friction, if climbing ramps frequently (within 1h), consult your salesman
- () Value or text in brackets are referred to truck fitted out with side fix protection (biga) or rear fix protection (bob)
- ⊖ Values are referred to a 2-stg mast HiVi, $h_3=2\ 968$ mm
- ❖ If truck fitted out with three stage FFL mast, $h_3=4\ 628$ mm add 172 kg
- ◇ Values referred to truck equipped with 2-stg mast, and battery at row 6.4, add 50 Kg when fitted out with side fix protection (biga) or rear fix protection (bob)
- + 61 with fixed lateral protections (Biga), + 110 with Rear protections (Bob)
- ¶ + 75 with fixed lateral protections (Biga), + 114 with Rear protections (Bob)
- † Values + 18 mm with 3-stg mast
- Values + 12 mm with 3-stg mast
- + Values - 18 mm with 3-stg mast

Mast tables:

- ◇ h_1 with 100 mm free lift
- ◆ h_4 with load backrest add 528 mm
- When initial lift is lifted add 130 mm

Notice

Care must be exercised when handling elevated loads. When the carriage and/or load is elevated, truck stability is reduced. It is important that mast tilt in either direction be kept to a minimum when loads are elevated. Operators must be trained and adhere to the instructions contained in the Operating Manual.

Hyster products are subject to change without notice. Lift trucks illustrated may feature optional equipment.



This truck conforms to the current EU requirements.

Product Features

- **S1.5S** **Powered stacker with folding platform**
- **S1.5Sil** **Powered stacker with folding platform, initial lift**
- **S1.5Ssl** **Powered stacker with folding platform, straddle legs**
Also available with tandem load wheels

Dependability

- MOSFET high frequency Combi controller for traction and hydraulic controls.
- Welded fork construction makes them highly resistant to torsion and heavy loads.
- Hour meter and battery discharge indicator with lift interrupt fitted as standard.
- Cold store protection for application to -30 C.
- Specific 'initial lift' and 'straddle legs' models provide the right answer to any application.
- High visibility and full free lift 2 and 3-stage masts availability.

Productivity

- Operator-friendly tiller head controls for productive load handling.
- Regenerative braking and anti-rollback both available as standard.
- Pedestrian or stand-on operation, with or without side arms raised for improved productivity.
- Progressive speed control and steering system ensure optimum performance levels.
- Tandem load wheels and exit/entry rollers as standard.
- Key-pad with PIN code for enhanced fleet management.
- Power steering makes truck highly manoeuvrable.

Ergonomics

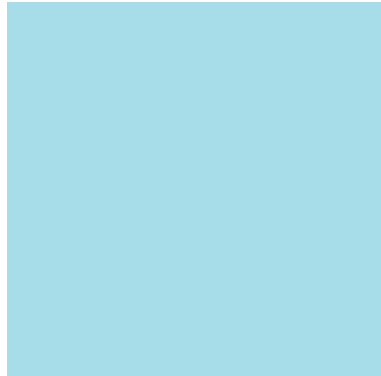
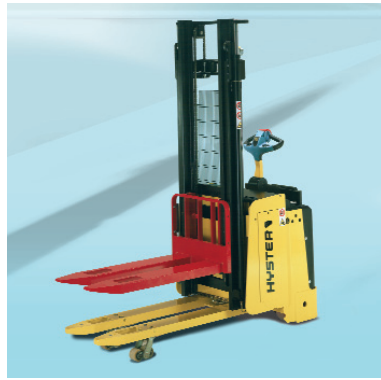
- Ergonomically designed tiller head for maximum operator comfort.
- Low effort controls ergonomically positioned to reduce operator fatigue.
- Dual lift/lower controls allow operation using either hand.
- 'Corner control' system reduces speed automatically when cornering.
- 5-point wheel layout, with fixed stabilizer wheels, provides enhanced stability.
- Adjustable performance settings to suit specific operating conditions.

Cost of ownership

- AC drive motor provides superior performance and reduced operation costs.
- Power transmission supplied via helicoidal gears, running in oil bath.
- IP54 standards control for protection against dust and water.
- Optimum component reliability permit the extension of service materials.

Serviceability

- AC drive motor and brushless lift motor construction ensures low maintenance requirements.
- Built-in diagnostic system for preventative maintenance communication reduces downtime.
- Driver Diagnostic Interface (DDI) allows selection of appropriate performance settings for specific applications.
- CANbus technology for increased functionality, reliability and servicing.



**Strong Partners, Tough Trucks,
for Demanding Operations Everywhere.**

Hyster supplies a complete product range, including Warehouse trucks, IC and Electric Counterbalanced trucks, Container Handlers and Reach Stackers.

Hyster is committed to being much more than a lift truck supplier. Our aim is to offer a complete partnership capable of responding to the full spectrum of materials handling issues:

Whether you need professional consultancy on your fleet management, fully qualified service support, or reliable parts supply, you can depend on Hyster.

Our network of highly trained dealers provides expert, responsive local support. They can offer cost-effective finance packages and introduce effectively managed maintenance programmes to ensure that you get the best possible value. Our business is dealing with your materials handling needs so you can focus on the success of your business today and in the future.



Hyster Europe, Flagship House, Reading Road North, Fleet, Hants GU51 4WD, England.

Tel: +44 (0) 1252 810261

Fax: +44 (0) 1252 770702

Email: info@hyster.co.uk

<http://www.hyster.co.uk>

A division of NACCO Materials Handling Limited.

Hyster®, **HYSTER**®, Vista® and Monotrol® are registered trademarks of Hyster Company in the United States and in certain other countries. Fortens™, Pacesetter VSM™, DuraMatch™, DuraMatch Plus™, TouchPoint™, TouchControl™, EZXchange & HSM™ are trademarks of Hyster Company in the United States and in certain other countries.

